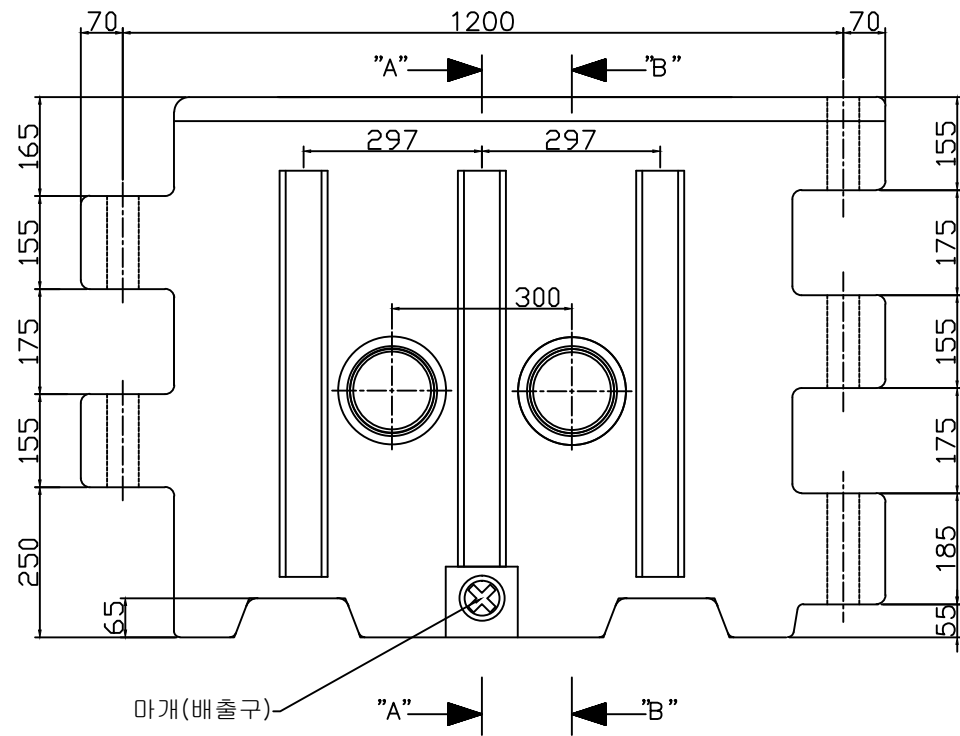
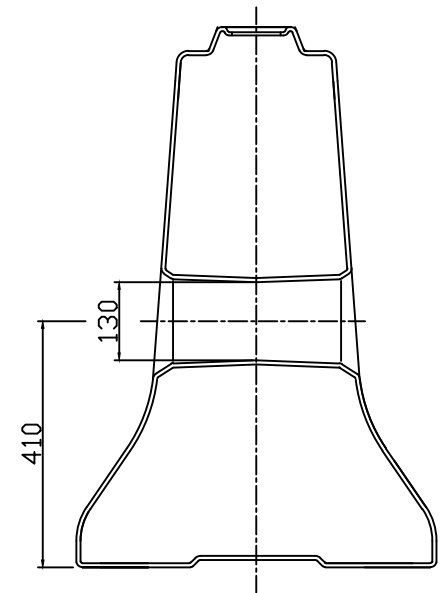


SECTION "A"- "A"



마개(배출구)



SECTION "B"- "B"

TOLERANCE	DATE	2005.06.21	MATERIAL	LLDPE	SCALE
±5%	DESIGN		TITLE	방호벽(중형)	N/S
	CHECK		DWG NO.		SHEET
	APP'D				Q'ty
			신도산업(주)		