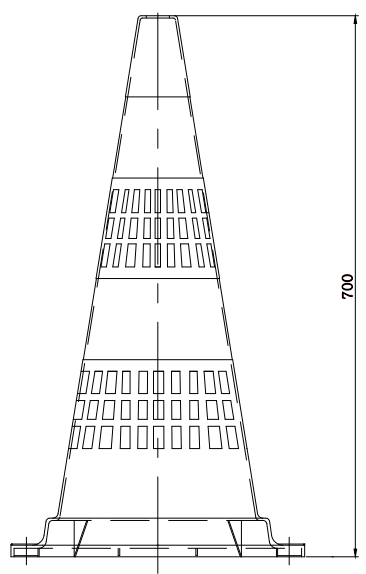
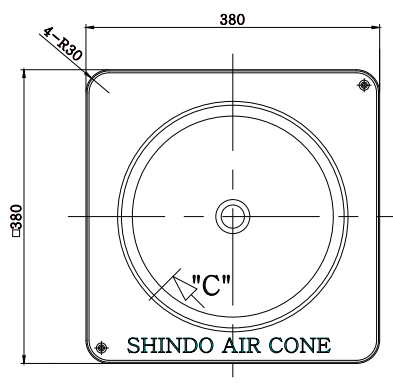



DWG NO



△					
NAME	DATE	REVISION DESCRIPTION	DRWD	APPR	
DRAWING NAME	에어콘				
DATE	2001.07.20	DRAWING DESIGN	CHECKER	APPROVER	MODEL
SCALE	1/1	AD			
 SHINDO .CO.,LTD.					