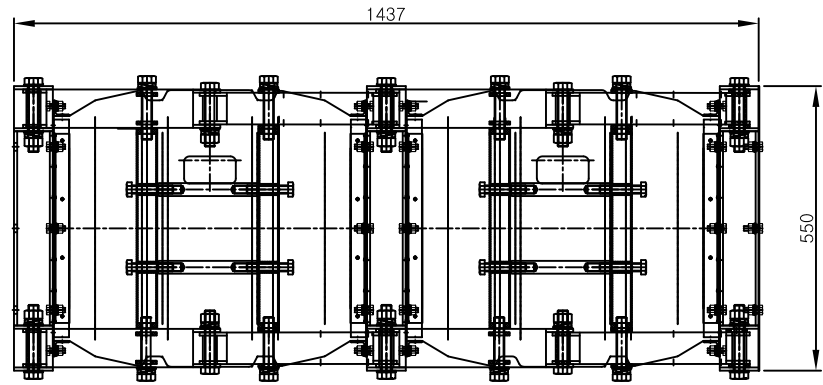
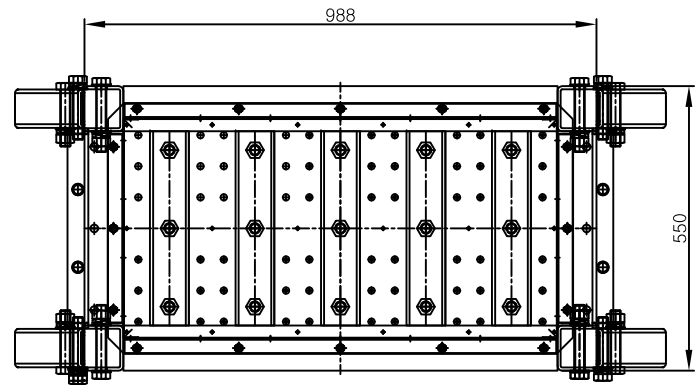
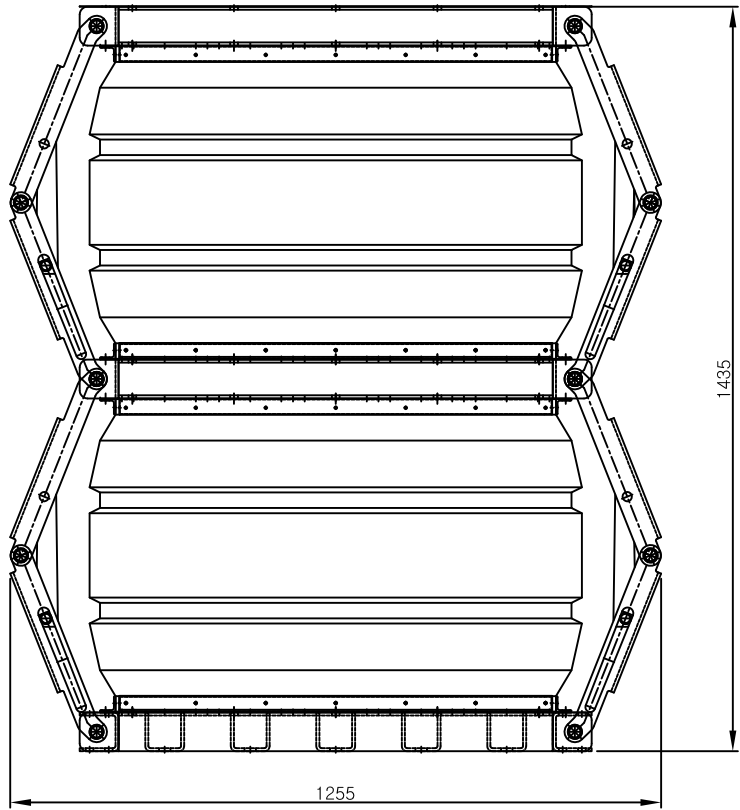



TMA-60km/h  
1255x1435x550h



Tolerance	DATE	2015.01.22	MATERIAL	-	Scale	N/S
-	DESIGN	Nam.k.w	TITLE	SD-TMA1-S1	Sheet	1 / 3
	CHECK	-			Quantity	-
	APP'D	-	DWG NO.	-		
				신도산업(주)		