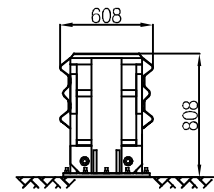
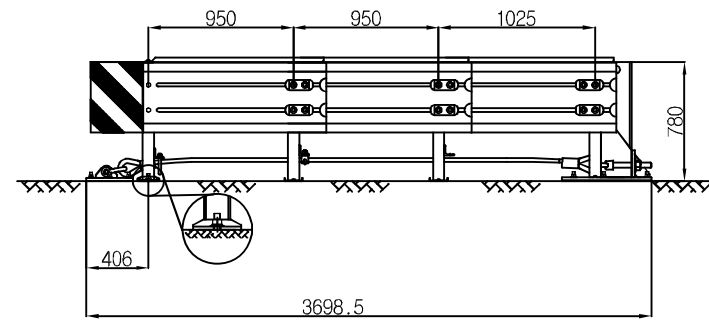
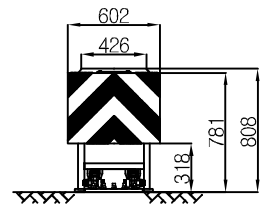
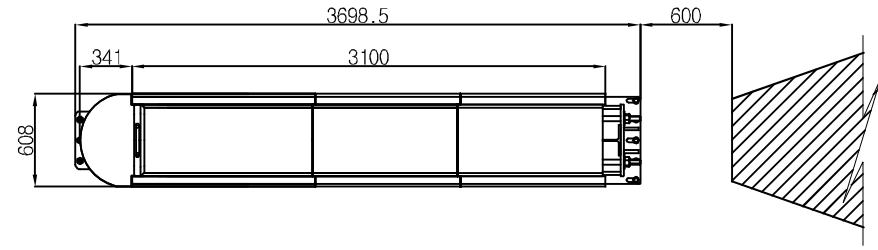
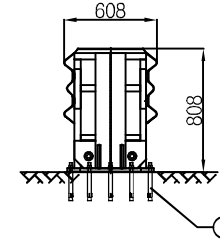
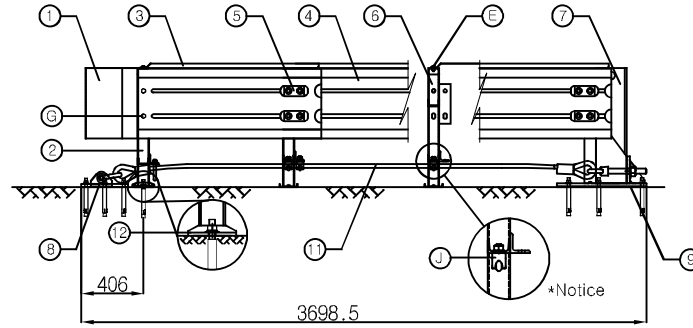
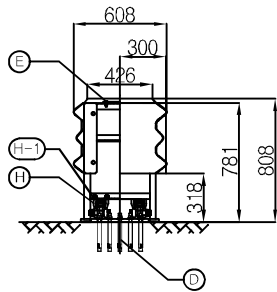
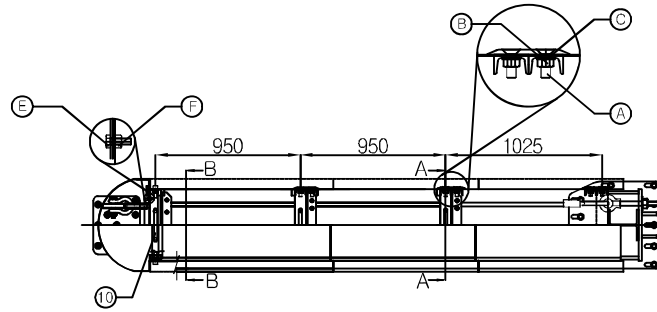
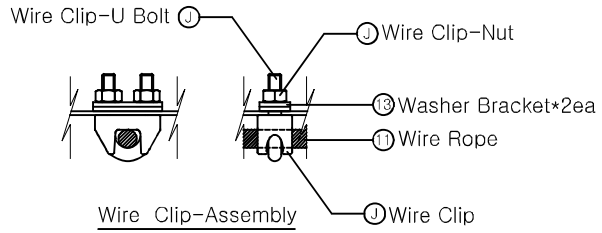
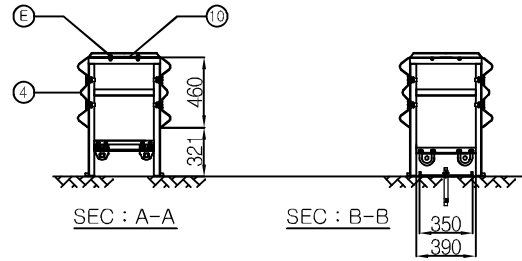


Tolerance [1-1]	A range of application	0.5 ~ 6.0	6.0 ~ 30	30 ~ 120	120 ~ 400	400 ~ 1000	1000 ~ 2000	2000 ~ 4000
		±0.5	±1	±1.5	±2.5	±4	±6	±8



TOLERANCE	DATE	2014.03.07	MATERIAL	-	SCALE	N/S
TABLE[1-1] Reference	DESIGN	Shin.w.h	TITLE	EU_CCS_P_NT_50	SHEET	1/3
	CHECK		DWG NO.	GCCE16-L11	Q'ty	1
	APP'D					

Tolerance [1-1]	A range of application	0.5 ~ 6.0	6.0 ~ 30	30 ~ 120	120 ~ 400	400 ~ 1000	1000 ~ 2000	2000 ~ 4000
		±0.5	±1	±1.5	±2.5	±4	±6	±8




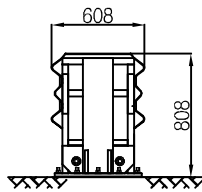
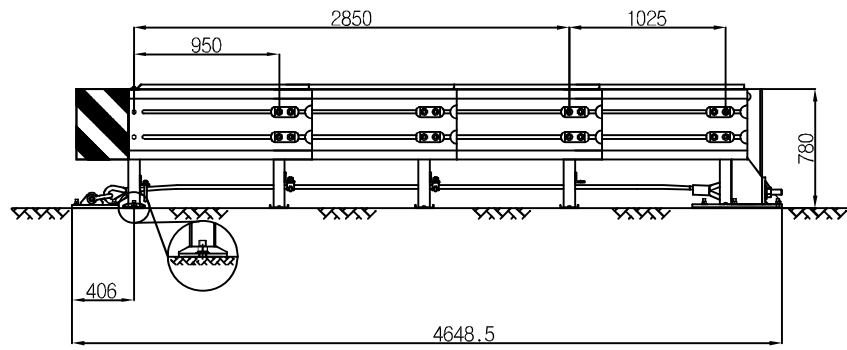
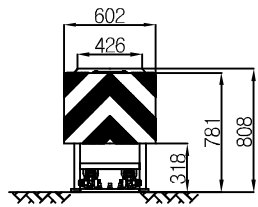
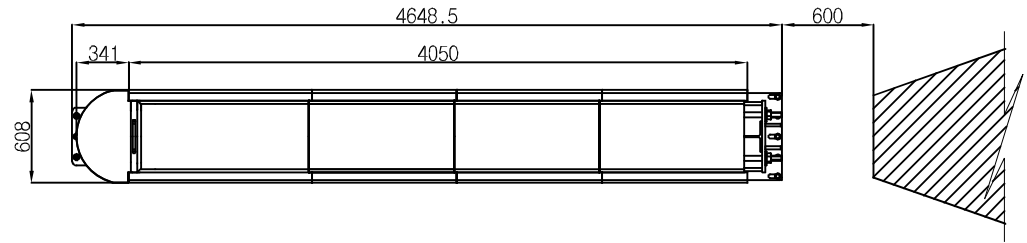
10	Top Cover_Bracket	3	20*220*4.0T	SS400
9	Base Bracket	1	568*583*3.0T	SS400
8	Wire Hold Plate	1	380*305*100	SS400
7	Back Stop Frame	1	585*570*776	SS400
6	Middle Frame	2	510*150*780	SS400
5	Spacer Bar	12	65*180*13.5	SS400
4	GuardRail	6	460*1200*69	SS400
3	Top Cover	3	470*1165*28	SS400
2	Front Frame	1	510*120*780	SS400
1	Front Cover	1	394*602*464	SS400
NO	DISCRIPTION	Q'TY	SIZE	MATERIAL

C	Plain washer	26	M20	SS400
B	Hexagon NutL2	28	M20	SS400
A	Hexagon Socket Countersank Head screw	24	M20*60	SM45C
13	Washer Bracket	12	90*40*6.0T	SS400
12	Rotation Bracket	1	140*350*30	SS400
11	Wire Rope_Ass'y	2	24 *3100	Carbon Steel
NO	DISCRIPTION	Q'TY	SIZE	MATERIAL

J	Wire Clip_Ass'y	6	1 1/8"	SS400
H-1	Hexagon Nut_3	4	M16	Stainless
H	U-Bolt	2	M16*80	Stainless
G	Hexagon Bolt_2	4	M20*40	SS400
F	Hexagon Nut_1	4	M10	SS400
E	Hexagon Bolt_1	10	M10*25	SS400
D	Anchor Bolt_Ass'y	22	M20*250	SS400
NO	DISCRIPTION	Q'TY	SIZE	MATERIAL

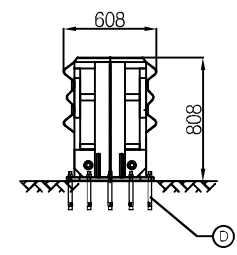
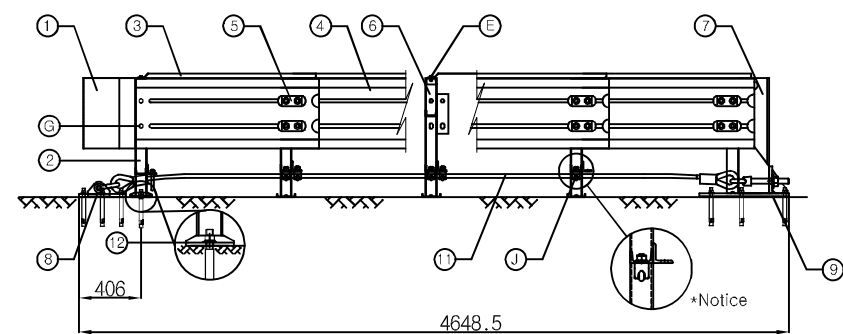
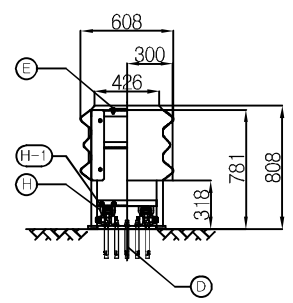
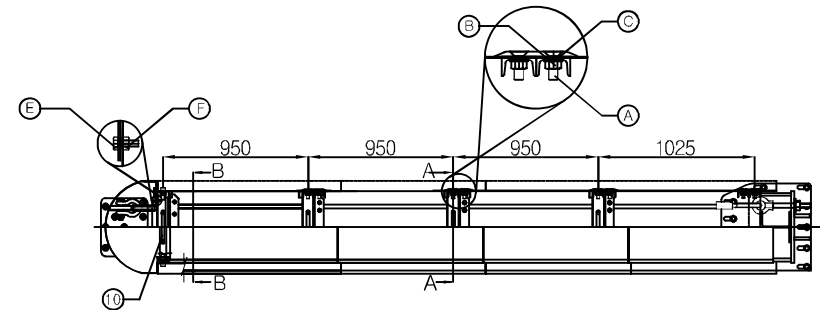
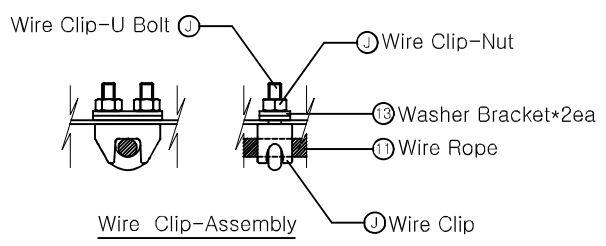
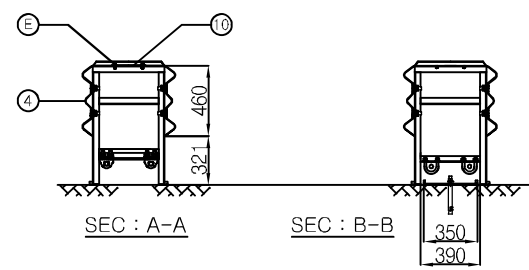
TOLERANCE	DATE	2014.03.07	MATERIAL	-	SCALE	N/S
TABLE[1-1] Reference	DESIGN	Shin.w.h	TITLE	EU_CCS_P_NT_50	SHEET	2/3
	CHECK		DWG NO.	GCCE16-L11	Q'ty	1
	APP'D					

Tolerance [1-1]	A range of application	0.5 ~ 6.0	6.0 ~ 30	30 ~ 120	120 ~ 400	400 ~ 1000	1000 ~ 2000	2000 ~ 4000
			±0.5	±1	±1.5	±2.5	±4	±6



TABLE[1-1] Reference	DESIGN	Shin.w.h	TITLE	EU_CCS_F_NT_80	SCALE	N/S
	CHECK		DWG NO.	GCCE26-L11	SHEET	1/3
	APP'D				Q'ty	1
	DATE	2014.03.07	MATERIAL	-		

Tolerance [1-1]	A range of application	0.5 ~ 6.0	6.0 ~ 30	30 ~ 120	120 ~ 400	400 ~ 1000	1000 ~ 2000	2000 ~ 4000
		±0.5	±1	±1.5	±2.5	±4	±6	±8



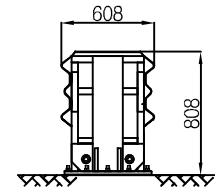
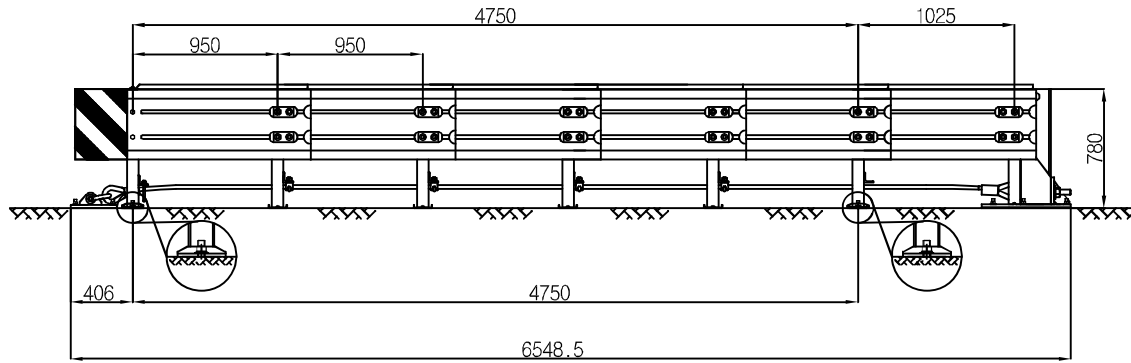
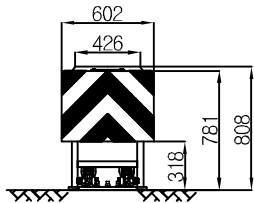
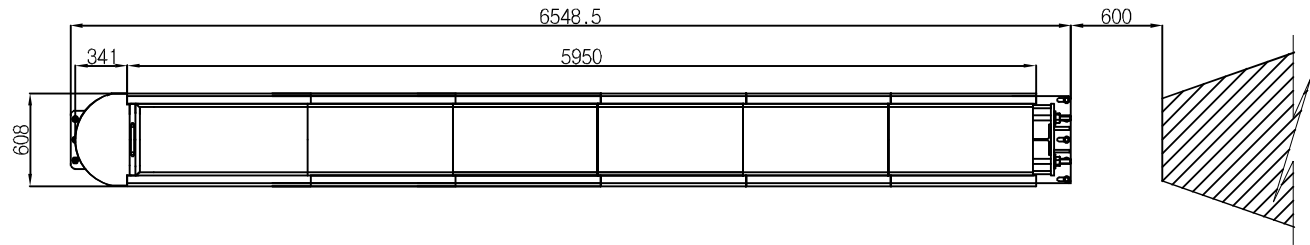
10	Top Cover_Bracket	4	20*220*4.0T	SS400
9	Base Bracket	1	568*583*3.0T	SS400
8	Wire Hold Plate	1	380*305*100	SS400
7	Back Stop Frame	1	585*570*776	SS400
6	Middle Frame	3	510*150*780	SS400
5	Spacer Bar	16	65*180*13.5	SS400
4	GuardRail	8	460*1200*69	SS400
3	Top Cover	4	470*1165*28	SS400
2	Front Frame	1	510*120*780	SS400
1	Front Cover	1	394*602*464	SS400
NO	DISCRIPTION	Q'TY	SIZE	MATERIAL

C	Plain washer	36	M20	SS400
B	Hexagon Nut_L2	36	M20	SS400
A	Hexagon Socket Countersank Head screw	32	M20*60	SM45C
13	Washer Bracket	20	90*40*6.0T	SS400
12	Rotation Bracket	1	140*350*30	SS400
11	Wire Rope_Ass'y	2	24 *4050	Carbon Steel
NO	DISCRIPTION	Q'TY	SIZE	MATERIAL

J	Wire Clip_Ass'y	10	1 1/8"	SS400
H-1	Hexagon Nut_3	4	M16	Stainless
H	U-Bolt	2	M16*80	Stainless
G	Hexagon Bolt_2	4	M20*40	SS400
F	Hexagon Nut_1	4	M10	SS400
E	Hexagon Bolt_1	12	M10*25	SS400
D	Anchor Bolt_Ass'y	22	M20*250	SS400
NO	DISCRIPTION	Q'TY	SIZE	MATERIAL

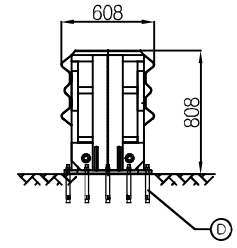
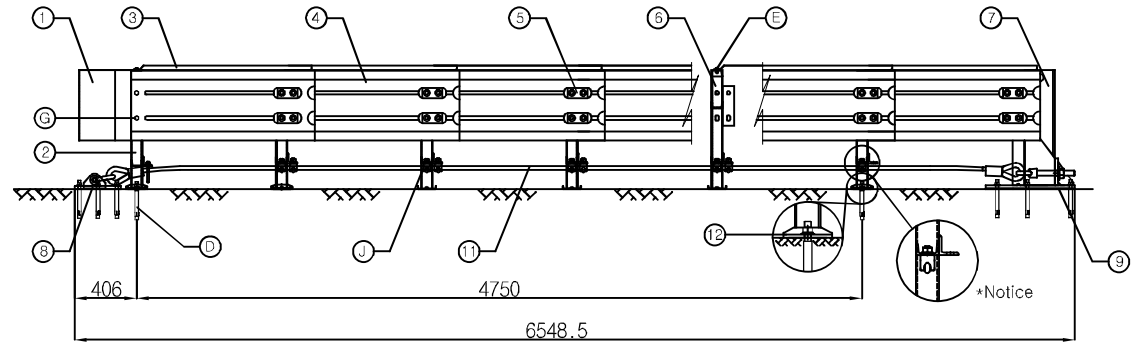
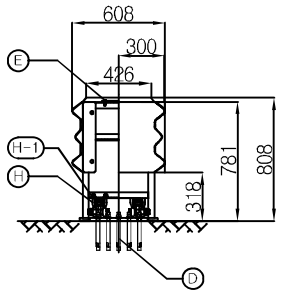
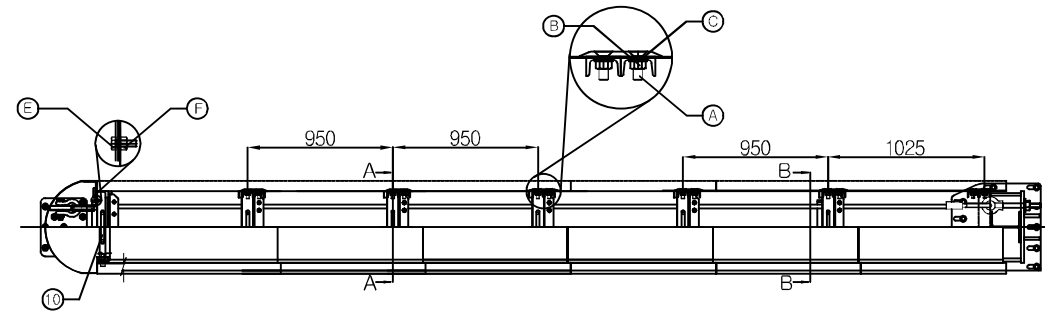
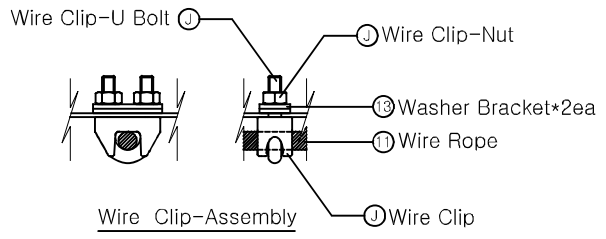
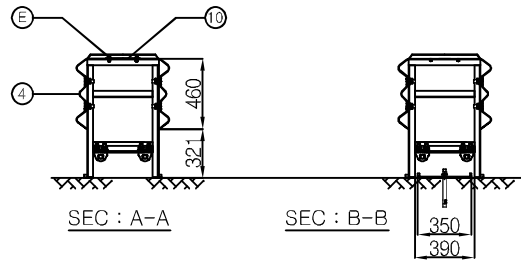
TOLERANCE	DATE	2014.03.07	MATERIAL	-	SCALE	N/S
TABLE[1-1] Reference	DESIGN	Shin.w.h	TITLE	EU_CCS_P_NT_80	SHEET	2/3
	CHECK		DWG NO.	GCCE26-L11	Q'ty	1
	APP'D					

Tolerance [1-1]	A range of application	0.5 ~ 6.0	6.0 ~ 30	30 ~ 120	120 ~ 400	400 ~ 1000	1000 ~ 2000	2000 ~ 4000
		±0.5	±1	±1.5	±2.5	±4	±6	±8



TABLE[1-1] Reference	TOLERANCE	DATE	2014.03.07	MATERIAL	-	SCALE	N/S
		DESIGN	Shin.w.h	TITLE	EU_CCS_P_NT_100	SHEET	1/3
		CHECK		DWG NO.	GCCE36-L11	Q'ty	1
		APP'D					

Tolerance [1-1]	A range of application	0.5 ~ 6.0	6.0 ~ 30	30 ~ 120	120 ~ 400	400 ~ 1000	1000 ~ 2000	2000 ~ 4000
		±0.5	±1	±1.5	±2.5	±4	±6	±8



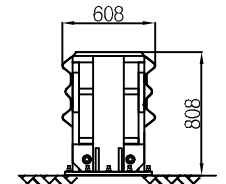
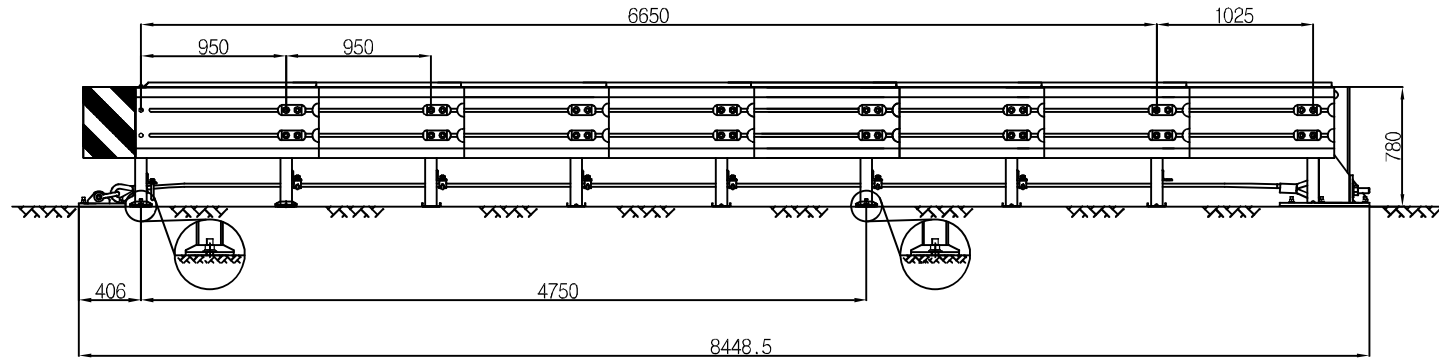
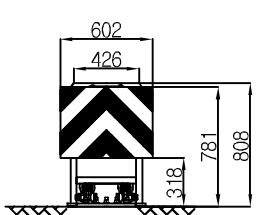
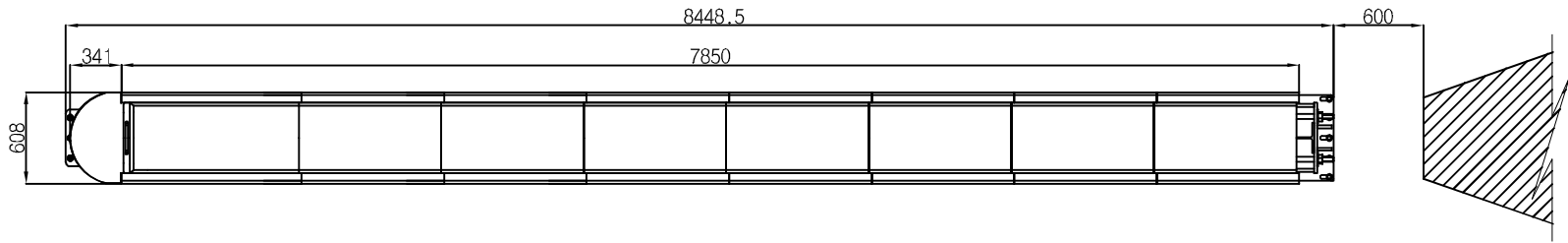
10	Top Cover_Bracket	6	20*220*4.0T	SS400
9	Base Bracket	1	568*583*3.0T	SS400
8	Wire Hold Plate	1	380*305*100	SS400
7	Back Stop Frame	1	585*570*776	SS400
6	Middle Frame	5	510*150*780	SS400
5	Spacer Bar	24	65*180*13.5	SS400
4	GuardRail	12	460*1200*69	SS400
3	Top Cover	6	470*1165*28	SS400
2	Front Frame	1	510*120*780	SS400
1	Front Cover	1	394*602*464	SS400
NO	DISCRIPTION	Q'TY	SIZE	MATERIAL

C	Plain washer	52	M20	SS400
B	Hexagon Nut_L2	52	M20	SS400
A	Hexagon Socket Countersank Head screw	48	M20*60	SM45C
13	Washer Bracket	36	90*40*6.0T	SS400
12	Rotation Bracket	2	140*350*30	SS#B0
11	Wire Rope_Ass'y	2	24 *5950	Carbon Steel
NO	DISCRIPTION	Q'TY	SIZE	MATERIAL

J	Wire Clip_Ass'y	18	1 1/8"	SS400
H-1	Hexagon Nut_3	4	M16	Stainless
H	U-Bolt	2	M16*80	Stainless
G	Hexagon Bolt_2	4	M20*40	SS400
F	Hexagon Nut_1	4	M10	SS400
E	Hexagon Bolt_1	16	M10*25	SS400
D	Anchor Bolt_Ass'y	23	M20*250	SS400
NO	DISCRIPTION	Q'TY	SIZE	MATERIAL

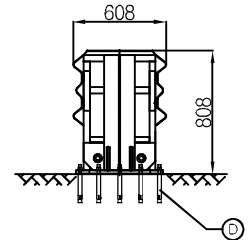
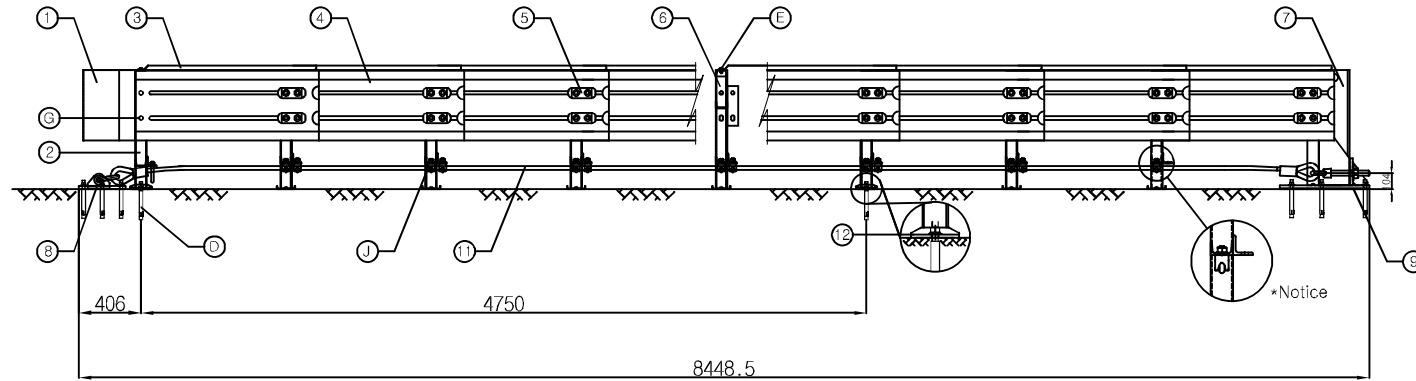
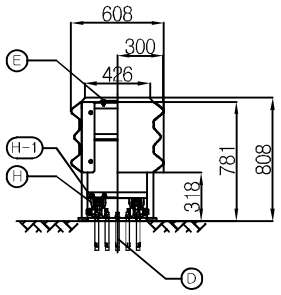
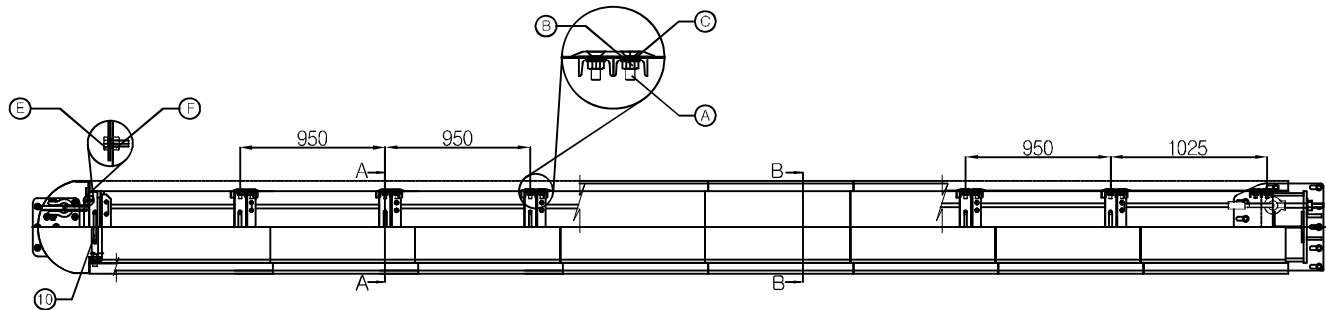
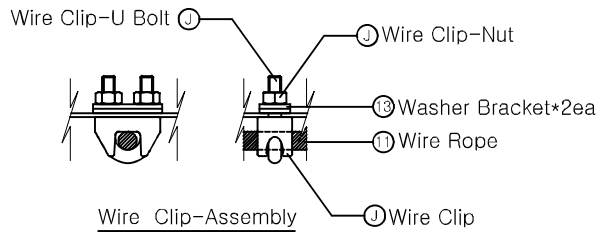
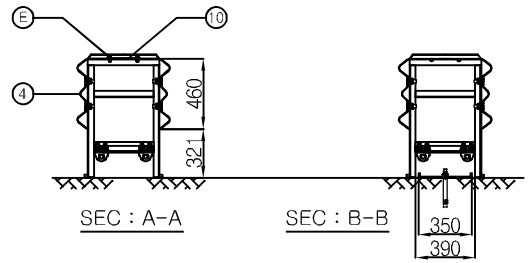
TOLERANCE	DATE	2014.03.07	MATERIAL	-	SCALE	N/S
TABLE[1-1] Reference	DESIGN	Shin.w.h	TITLE	EU_CCS_P_NT_100	SHEET	2/3
	CHECK		DWG NO.	GCCE36-L11	Q'ty	1
	APP'D					

Tolerance [1-1]	A range of application	0.5 ~ 6.0	6.0 ~ 30	30 ~ 120	120 ~ 400	400 ~ 1000	1000 ~ 2000	2000 ~ 4000
		±0.5	±1	±1.5	±2.5	±4	±6	±8



TOLERANCE	DATE	2014.03.07	MATERIAL	-	SCALE	N/S
TABLE[1-1] Reference	DESIGN	Shin.w.h	TITLE	EU_CCS_P_NT_110	SHEET	1/3
	CHECK		DWG NO.	GCCE46-L11	Q'ty	1
	APP'D					

Tolerance [1-1]	A range of application	0.5 ~ 6.0	6.0 ~ 30	30 ~ 120	120 ~ 400	400 ~ 1000	1000 ~ 2000	2000 ~ 4000
		±0.5	±1	±1.5	±2.5	±4	±6	±8



10	Top Cover_Bracket	8	20*220*4.0T	SS400
9	Base Bracket	1	568*583*3.0T	SS400
8	Wire Hold Plate	1	380*305*100	SS400
7	Back Stop Frame	1	585*570*776	SS400
6	Middle Frame	7	510*150*780	SS400
5	Spacer Bar	32	65*180*13.5	SS400
4	GuardRail	16	460*1200*69	SS400
3	Top Cover	8	470*1165*28	SS400
2	Front Frame	1	510*120*780	SS400
1	Front Cover	1	394*602*464	SS400
NO	DISCRIPTION	Q'TY	SIZE	MATERIAL

C	Plain washer	68	M20	SS400
B	Hexagon Nut_L2	68	M20	SS400
A	Hexagon Socket Countersank Head screw	64	M20*60	SM45C
13	Washer Bracket	52	90*40*6.0T	SS400
12	Rotation Bracket	2	140*350*30	SS400
11	Wire Rope_Ass'y	2	24 *7850	Carbon Steel
NO	DISCRIPTION	Q'TY	SIZE	MATERIAL

J	Wire Clip_Ass'y	26	1 1/8"	SS400
H-I	Hexagon Nut_3	4	M16	Stainless
H	U-Bolt	2	M16*80	Stainless
G	Hexagon Bolt_2	4	M20*40	SS400
F	Hexagon Nut_1	4	M10	SS400
E	Hexagon Bolt_1	20	M10*25	SS400
D	Anchor Bolt_Ass'y	23	M20*250	SS400
NO	DISCRIPTION	Q'TY	SIZE	MATERIAL

TOLERANCE	DATE	2014.03.07	MATERIAL	-	SCALE	N/S
	DESIGN	Shin.w.h	TITLE	EU_CCS_P_NT_110	SHEET	2/3
	CHECK		DWG NO.	GCCE46-L11	Q'ty	1
	APP'D					